



50GHz Optical Add/Drop Multiplexer (1x2)

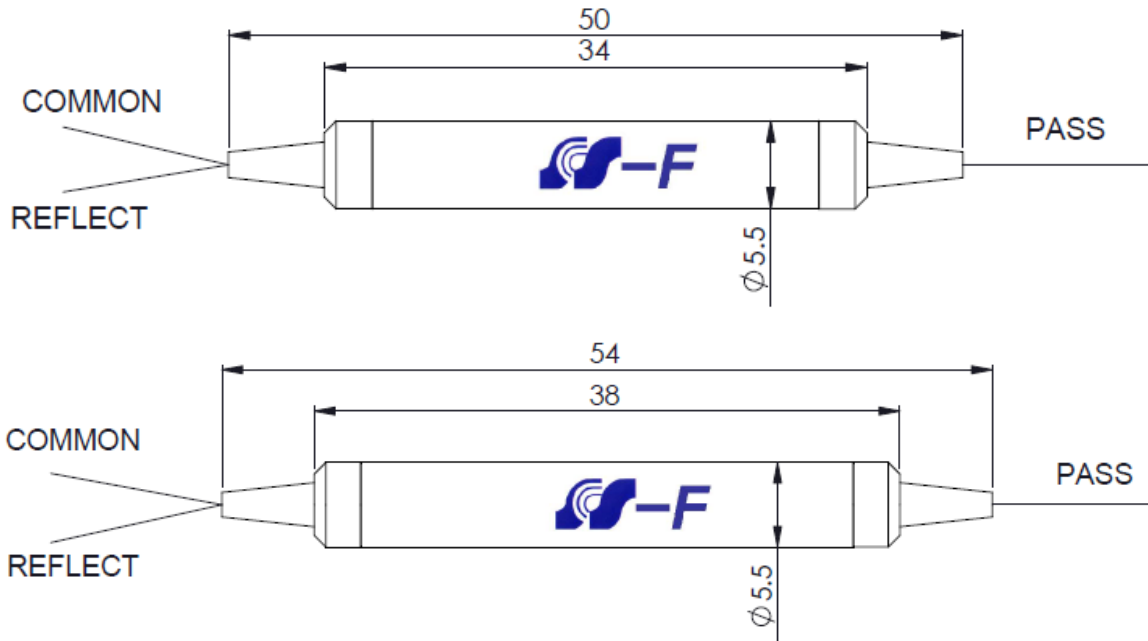
<p>Features</p> <ul style="list-style-type: none"> ● 50GHz ITU Channel Spacing ● Low Insertion Loss ● Wide Pass Band ● High Channel Isolation ● High Stability and Reliability ● Epoxy Free Optical Path 	<p>Applications</p> <ul style="list-style-type: none"> ● Channel Add / Drop ● DWDM Network ● Wavelength Routing ● Fiber Optical Amplifier ● CATV Fiberoptic System
---	--

Performance Specifications:

Parameter	Unit	Spec	
		Mux (Add)	Demux (Drop)
Operating Wavelength	nm	1530.33 to 1560.61(21~59 ITU grid)	
Center Wavelength Accuracy	nm	± 0.02nm	
Minimum Channel Spacing	GHz	50GHz	
Channel Passband (@-0.5dB bandwidth)	nm	± 0.07nm	
Insertion Loss	Add / Drop Ch.	≤ 1.2dB	
	Express Ch.	≤ 0.7dB	
Add/ Drop Channel Ripple	dB	≤ 0.5dB	
Channel Isolation	Adjacent	N/A	≥ 20dB
	Non-adjacent	N/A	≥ 35dB
Express Channel Isolation	dB	≥ 10dB	
Insertion Loss Temperature Sensitivity	dB/°C	≤ 0.004dB/°C	
Wavelength Temperature Shifting	nm/°C	≤ 0.002nm/°C	
Polarization Dependent Loss	dB	≤ 0.10dB	
Polarization Mode Dispersion	ps	≤ 0.10ps	
Directivity	dB	≥ 45dB	
Return Loss	dB	≥ 45dB	
Optical Power	mW	≤ 300Mw	
Operating Temperature	°C	0 to +70°C	
Storage Temperature	°C	-40 to +85°C	
Package Dimensions	mm	Ø5.5 x L34mm SS tube(38mm with 900um tube)	

Note: All values referenced are without connectors. With connector, IL increase 0.3dB, RL decrease 5dB.

Mechanical Dimensions:



Ordering Information:

S-DWDM	Channel Spacing	Number of Channel	ITU Channel	Pigtail Style	Fiber Length	Connector
	□	□□	□	□	□	□□
	5= 50GHz	01= 1 Channel	C21= 1560.61nm H21= 1560.21nm	1= Bare Fiber 2= 900um tube 3= 3mm Cable	1=1m 2=2m	0=None 1=FC/APC 2=FC/PC 3=SC/APC 4=SC/PC 5=ST 6=LC/UPC 7=LC/APC

For Example: S-DWDM-5-01-C21-2-1-11